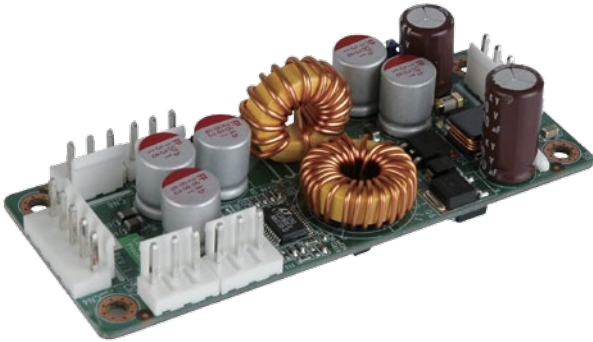


IDD-936260A

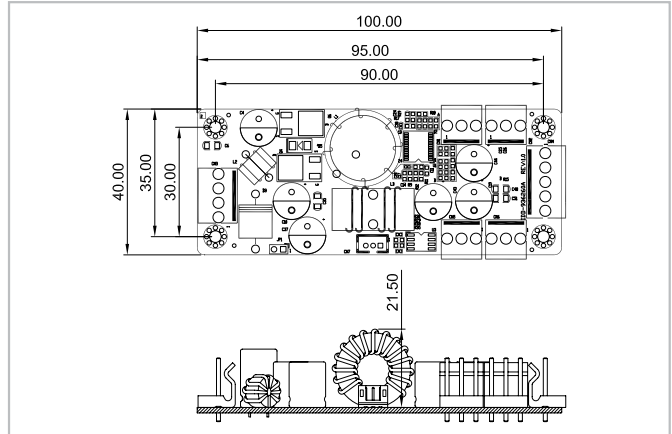
60 W DC/DC Converter Module



Features

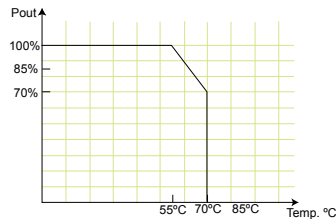
1. Wide input range: 9-36 VDC
2. AT or ATX mode on/off
3. Up to 90% efficiency
4. RoHS compliant
5. Compact size

Dimensions (Unit: mm)



Specifications

- Output (max.): 12 V@3 A, 5 V@10 A & 5 VSB@0.5 A
Max. total output: 60 W
- Input: 9 VDC to 36 VDC
- Performance characteristics
Noise & ripple: <240 mV
Line regulation: <50 mV
Load regulation: <100 mV
Efficiency: Up to 90%
- Dimensions: 40 mm x 100 mm
- Weight: NW: 58 g
- Operating temperature: -20°C ~ 70°C



Pin Assignments

Input Power Connector

CN3	Pin 1	Pin 2	Pin 3	Pin 4
	VIN	VIN	GND	GND

Output Power Connector

CN4	Pin 1	Pin 2	Pin 3	Pin 4	Pin 5
	+5 V	+5 V	GND	GND	+12 V

CN1 CN2 CN5 CN6	Pin 1	Pin 2	Pin 3
	+5 V	GND	+12 V

ATX Mode Connector

CN7	Pin 1	Pin 2	Pin 3
	5 VSB	GND	PS_ON

Wire Harness Selection Guide

DC Input (CN3)

Options 1.

PN: CB-P1LP4-RS
Cable for FSP0601AD101C 60 W/
UP0451E12P 45 W/UP0251E12PL
25 W AC-DC adapter

Options 2.

PN: CB-MD4P4-RS
Cable for 63000-FSP120AAB-RS
120 W AC-DC adapter

Options 3.

PN: CB-NOLP4-RS
Cable for terminal block

I/O Power (CN1, CN2, CN5 & CN6)

Options 1.

PN: CB-3PSATA-RS
Cable for SATA

Options 2.

PN: CB-3PIDE-RS
Cable for IDE HDD or any STD 4
pins I/O devices

SBC Main Power (CN4)

Options 1.

PN: CB-5PSBC-RS

5-pin connector to DC/DC power modules CN4
Std 4-pin 12 V, 5 V I/O connector for WAFER, NOVA, Enano series SBC or I/O devices
12 V only connector for NANO series SBC
Cable for SATA HDD

Power On/Off (CN7)

Options 1.

PN: CB-JST3PSW-RS
Cable with on/off switch

Options 2.

PN: CB-JST3P001-RS
Cable to SBC (5 VSB & PS_ON)

Packing Information

1 x IDD-936260A

1 x QIG

Ordering Information

Part No.	Description
IDD-936260A-R11	60 W DC/DC 9~36 V input, 12 V, 5 V & 5 VSB output
CB-5PSBC-RS	20 cm cable to SBC power input
CB-JST3PSW-RS	30 cm cable oN/off switch
CB-JST3P001-RS	30 cm 5 VSB, PS_ON wire to SBC
CB-3PSATA-RS	10 cm cable for SATA power
CB-3PIDE-RS	10 cm cable for IDE HDD power
CB-P1LP4-RS	20 cm cable for FSP0601AD101C 60 W/ UP0451E12P 45 W/ UP0251E12PL 25 W AC-DC adapter
CB-MD4P4-RS	16 cm cable for 63000-FSP120AAB-RS 120 W AC-DC adapter
CB-NOLP4-RS	20 cm cable for terminal block DC input