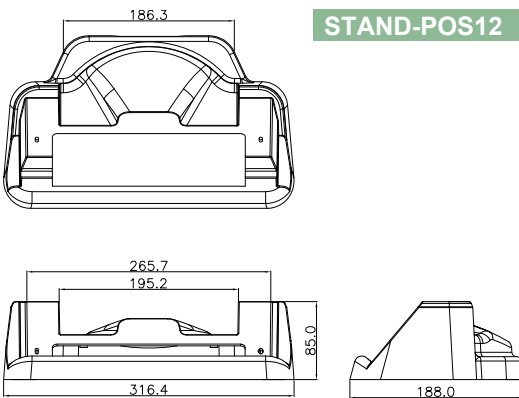


# Accessory

## 1. All-in-one design ideal for public applications



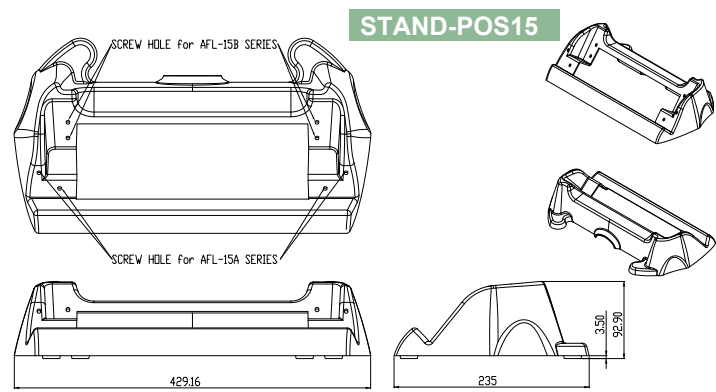
## • Dimensions



## 2. Easy Remove and Installation Design

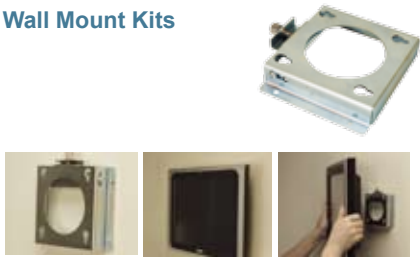


## 3. Easily arrange the cables inside the stand



## • IQ Mount

### Wall Mount Kits



### Easy Stand



### Comfortable Stand

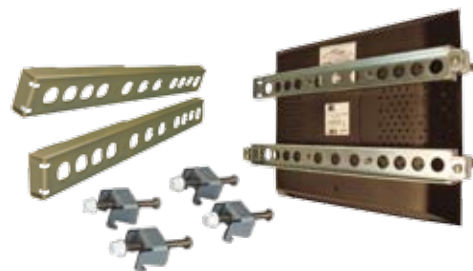


## • Panel Mount

AFLPK-12



AFLPK-15



1  
Application  
Server  
Platform

2  
Single  
Board  
Computer

3  
IBX Series  
POS PC

4  
AFOLUX  
POS  
Panel PC

5  
Video  
Capture  
Card

6  
KAMIO  
RISC

7  
IOVU  
Open HMI

8  
VITO  
Universal  
Controller

9  
DINO  
BLADE

10  
LCD  
Product  
Series

11  
Embedded  
System

12  
Industrial  
Computer  
Chassis

13  
Power  
Supply

14  
Peripherals