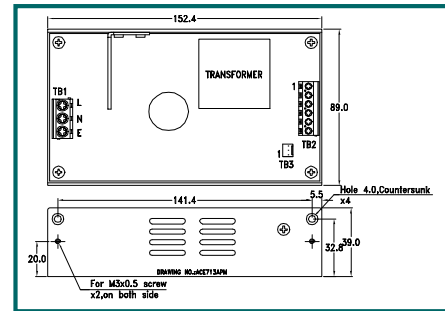


ACE-713APM 130W Medical Type ATX Power Supply with PFC



Medical



Input Type	85 ~ 264VAC Full Range					
Output Voltage	+3.3V	+5V 10A (0.2A min)	+12V 6A	-5V	-12V 0.5A	+5Vsb 0.5A
Efficiency	80%					
Temperature	Operating : -20 ~ 70°C (50 ~ 70°C derating curve) Storage : -40 ~ 75°C					
MTBF (hrs)	143,000					
Output Connector	+5Vsb & PS on cable					



Optional 1 AC Input Solution



PN: CB-643EC-RS
AC input cable, w/ I/O connector / fuse, 20cm

Optional 2 Embedded Solution



PN: CB-709EB-RS
DC cable to CPU card, W/4pin 12V CPU/ HDD/ S-ATA connector, 30cm

Optional 3 Backplane Solution



PN: CB-709BP-RS
DC cable to backplane, W/20pin ATX/ HDD/ S-ATA connector, 30cm

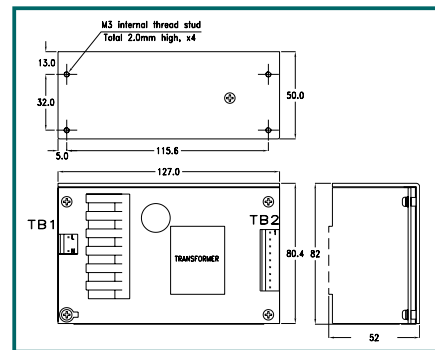
Ordering Information

- **ACE-713APM-RS**
130W AC-DC ATX Power Supply with PFC, meet Medical standard

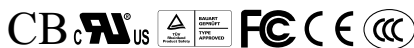
ACE-710APM 100W Medical Type ATX Power Supply with PFC



Medical



Input Type	85 ~ 264VAC Full Range					
Output Voltage	+3.3V	+5V 10A (0.2A min)	+12V 3.5A	-5V	-12V 0.3A	+5Vsb 0.5A
Efficiency	80%					
Temperature	Operating : -20 ~ 70°C (50 ~ 70°C derating curve) Storage : -40 ~ 75°C					
MTBF (hrs)	100,000					
Output Connector	N/A					



Optional 1 AC Input Solution



PN: CB-870EC-RS
AC input cable , With I/O connector / fuse, 20cm

Optional 2 Embedded Solution



PN: CB-710EB-RS
DC cable to CPU card, W/4pin 12V CPU/ HDD/ S-ATA connector, 30cm

Optional 3 Backplane Solution



PN: CB-710BP-RS
DC cable to Backplane, W/20pin ATX/ HDD/ S-ATA connector, 30cm

Ordering Information

- **ACE-710APM-RS**
100W AC-DC ATX Power Supply with PFC, meet Medical standard