

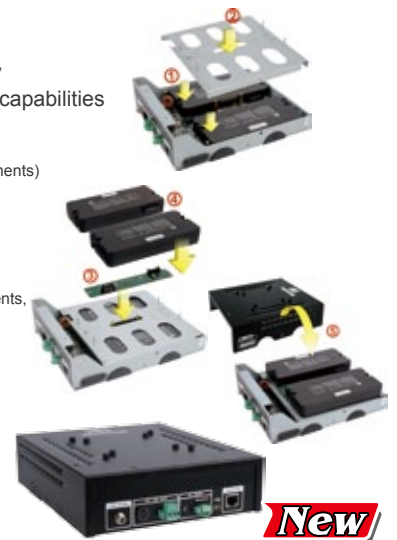
Intelligent DC UPS Module

12V/9~36V DC Input, 12V DC Output Uninterruptible Power Supply Module with Diagnostics

- VESA 75 or VESA 100 mounting
- 9-36V input through terminal or power jack, or 12V through power jack only
- Battery status and charge monitoring utility. Remote network management capabilities

Features

- 60W (5A @ 12V) or 100W (8.3A @ 12V) output
- 28Wh or 56Wh, for more than 140 minutes operation time (depending on panel PC power requirements)
- Rugged metal enclosure for standard VESA 75/100 mounting
- Web-based, remote network management, no software installation required
- Local PC-based monitoring software for input detection and battery status monitoring
- Auto shut down when battery low
- Remote DC output on/off switch for external switch installation
- Provides stable power to the PC during line sags and spikes and absorbs power surges and transients, protecting expensive equipment



New

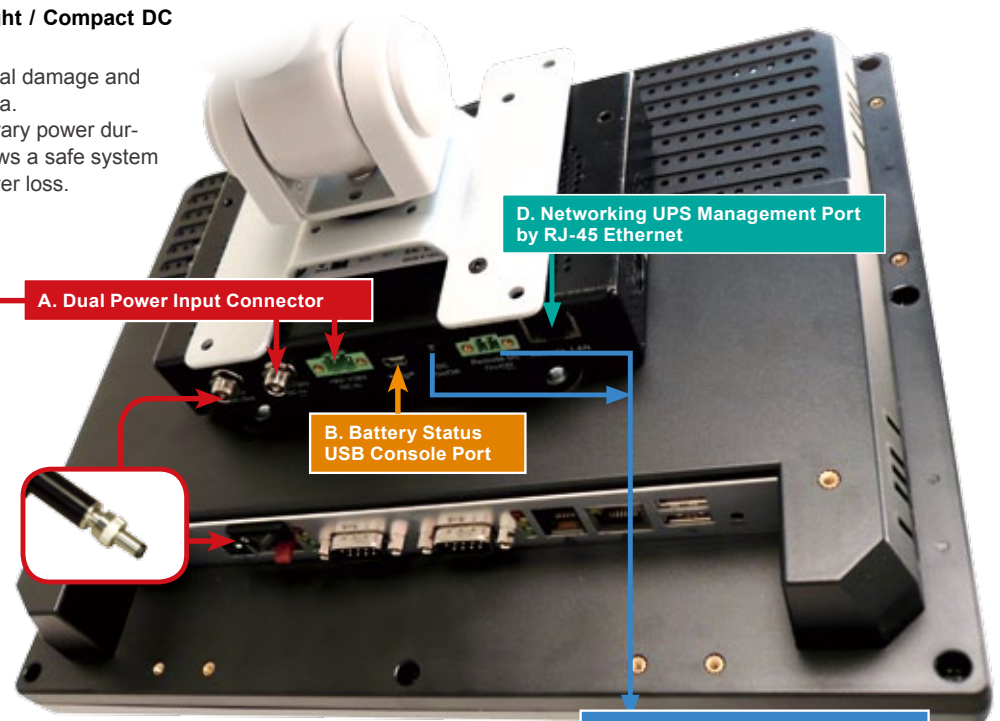
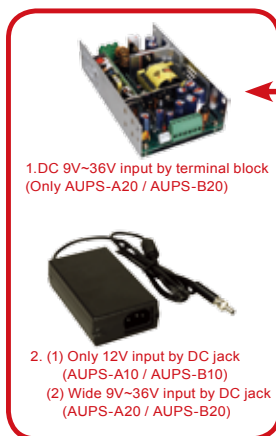
Model Name	AUPS-A10 / AUPS-A20	AUPS-B10 / AUPS-B20	AUPS-C20
Input Power	AUPS-A10 (12V)	AUPS-B10 (12V)	9~36V
	AUPS-A20 (9~36V)	AUPS-B20 (9~36V)	x
Dimensions (mm)	150 x 95 x 34	170 x 150 x 34	233x197x 59
Battery Capacity	28 Wh (Watt/Hour)	56 Wh (Watt/Hour)	200 Wh (Watt/Hour)
Output Power	60W (5A@12V)	100W (8.3A@12V)	100W (8.3A@12V)
VESA Support (mm)	75 x 75	75 x 75 / 100 x 100	75 x 75 / 100 x 100

Intelligent UPS Module

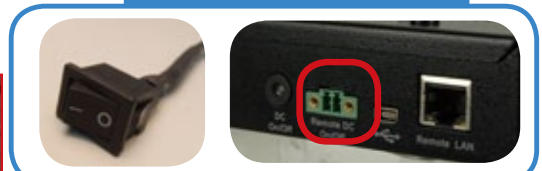
High Energy Density / Lightweight / Compact DC to DC UPS & Power Module

Protect your panel PC from electrical damage and greatly reduce the risk of losing data.

The UPS module serves as temporary power during a short break in power and allows a safe system shutdown for longer periods of power loss.



	LED 1	LED 2	LED 3
Color	Green	Yellow	Orange
Function	Power Input	Charging Status	Battery Status
Dark	DC Power Out		
Light	DC Power In	Discharging	Battery Full
Blinking		Charging	Battery Low



AUPS Network Administration Tool

- Network Remote Management Anywhere



- Network Remote Management Software



Battery Capacity Status

Power On/OFF

UPS Status Monitoring

Email Status Report

Send E-Mail

- Intelligent Software Utility

The remote management software utility and application program allow users to easily get the status of the AUPS and to control the AUPS power functions from anywhere with internet connection.



Remote control DC output ON/OFF via web interface.

Click **ALARM** to get each AUPS status via internet

- STATUS
- Send E-mail
- Board configuration

Network Remote Management Software

AUPS Local USB Utility Tool

Battery Monitoring Utility

Monitor the Most Critical Battery Functions on the Local Machine

The battery monitoring utility provides AUPS status monitoring and configuration ability. Uninterruptible Power Systems is a significant product that serves as emergency power when you suffer from electric event.



Battery Monitoring Utility Networking Remote Management

- Battery detection
- Battery capacity status
- Battery charge
- DC input indicator
- Battery indicator
- Temperature warning
- Low battery alarm
- Connection port status

DC Input only	Charging 50%	Charging 100%
Normal Icon	Capacity 50%	Capacity 100%

BATTERY STATUS

BAT.A shows Battery status real time monitoring

- Battery type
- Battery usage remaining time
- Battery capacity bar
- Real-time information update

AUPS STATUS

STATUS shows DC / Battery power input

- DC Input Detection
- Battery Status Detection

LAN CONFIGURATION

LAN shows system IP Address information

ABOUT

ABOUT shows AUPS Utility information

SETTING

SETTING shows Connection Detection port

- Auto-Scan Connection port
- System shutdown condition according to battery capacity setting



Meanwhile, IEI also provides AUPS API SDK and command list for customer programming under DOS or Linux system.

AUPS API Content

- Inti()
- AUPS Close()
- WriteCommand()
- ReadCommand()
- Error Code Definition()

AUPS API SDK



AUPS API SDK/Content



AUPS Module Specifications

Model Name		AUPS-A10	AUPS-A20	AUPS-B10	AUPS-B20	AUPS-C20
VESA Type		VESA 75	VESA 75	VESA 75 and 100	VESA 75 and 100	VESA 75 and 100
Input Data	Input voltage Unated/range	DC +12V	DC +9V~+36V	DC +12V	DC +9V~+36V	DC +9V ~ +36V
	Input current rated	1. Adapter is 12V-6A (Load is 60W) 2. Battery is 6V-12A (Load is 60W)		1. Adapter is 12V-9A (Load is 100W) 2. Battery is 12V-9A (Load is 100W)		
	Standby power consumption	0.3A (0.2A if Network Management disabled)				
	Operation with charging current	500mA				
	Operation with charging power consumption	6W		10W		
Charging time with system ON/OFF		8hrs / 2hrs (Battery empty)				
Output Data	Output voltage for normal operation	DC +12V +/-5%				
	Output voltage for battery operation(approx).	6~8.4V DC6 V (exhaustive discharge protection)		12~16.8V DC12 V (exhaustive discharge protection)		
	Output current	0A~5A		0A~8.3A		0A~7.6A
	Efficiency (nominal operation) / power loss at Vin=12V, Iout=80% of full loading	89%	93%	95%	94%	90%
Protection	Short-circuit protection	Yes				
	Exhaustive discharge protection	1. Battery low is 10% of battery capacity 2. Shutdown 5% of battery capacity (Default) 3. The end of battery discharge voltage is 6V				
	EMC / Safety certification	CE, FCC				
Monitoring	Ethernet interface	Web-based, specification 10/100Mbps with RJ-45 connection, Cat. 5 cable				
	USB interface	PC-capable, specification 2.0 with full speed, i.e. 2 Mbit/s. Standard 4-core shielded cable, USB Series "mini B" connector to DC-UPS				
Physical	Dimensions (LxWxH)	152mm x 96mm x 28mm		174mm x 147mm x 35mm		233mm x 197mm x 59mm
	Weight	1.2 kg		1.8 kg		3.8 kg
LED Indicator	Green	DC power input				
	Yellow	Battery charging				
	Orange	Bettery discharging				
Environment	Operating Tem.	0°C~40°C				
	Storage Tem.	-20°C~50°C				

Note1: Connecting DC input constantly is recommended. Battery will be drained after 14 hours.

Note2: System power consumption + AUPS charging power consumption = Total watts of power source

Battery Module Specifications

Model Name		AUPS-A10	AUPS-A20	AUPS-B10	AUPS-B20	AUPS-C20
Battery Model Name		BAT-LI-2S2P3800		BAT-LI-4S2P3800		BAT-LI-4S2P3800(x4)
Battery type		Li-Ion 2S2P 7.4V		Li-Ion 4S2P 14.8V		Li-Ion 4S2P 14.8V
Battery capacity		7.4V 3800 mAH		14.8V, 3800 mAH		14.8V, 3800 mAH(x4)
Maximum charge voltage		8.4V		16.8V		16.8V
The end of discharging voltage		5.6V		11.2V		11.2V
Recommended charging current (max.)		2A		2A		2A
System continuous discharging current (max.)		7.6A		7.6A		7.6A
The end of charge condition		250mA / 1Min		200mA / 1Min		200mA / 1Min
Battery	Discharge protection	Under voltage protection / Over current protection				
	Charge protection	Over voltage protection / Over current protection				
	Ambient temperature	0°C~40°C				
	Storage temperature	-20°C~60°C				
	Self-discharge rate	340uA~440uA				
	Dimensions (LxWxH)	139mm x 47mm x 26mm		165mm x 76mm x 26mm		165mm x 76mm x 26mm
	Weight	236g		450g		450g
	Cycle life	300 charge / discharge cycles				
Backup	60W / 10Min		100W / 10Min		100W / 10Min	
Safety class		CE, FCC				CE, FCC

Note: Replacing battery module every 2 years is recommended.

Selection Table for UPS Modules and Main Buffering Time

AFOLUX PPC	AUPS-A10	AUPS-A20	AUPS-B10	AUPS-B20
Under 50W solution				
AFL-057-LX (15W~20W)	145min	145min	290min	290min
AFL-07A-N270 (20W~25W)	100min	100min	200min	200min
AFL-08AH-N270 (25W~30W)	70min	70min	140min	140min
AFL-10A-N270 (25~30W)	70min	70min	140min	140min
AFL-10A-9103 (40W~45W)	50min	50min	100min	100min
AFL-10A-LX (25W~30W)	70min	70min	140min	140min
AFL-12A-LX (25W~30W)	70min	70min	140min	140min
AFL-12B-CX2 (38W~42W)	50min	50min	100min	100min
AFL-12A-N270 (25W~30W)	70min	70min	140min	140min
AFL-12B-9103 (45W~48W)	45min	45min	90min	90min
50W ~ 100W solution				
AFL-15B-915-CM370 (58W~63W)	-	-	35min	35min
AFL-15C-9652-T7500 (65W~70W)	-	-	30min	30min
AFL-17B-915-CM370 (75W~80W)	-	-	25min	25min
AFL-17C-9652-T7500 (85W~90W)	-	-	20min	20min
AFL-19B-915-CM370 (75W~80W)	-	-	25min	25min
AFL-19C-9652-T7500 (85W~90W)	-	-	20min	20min

Note: The backup time could be varied on different models or operating temperature.

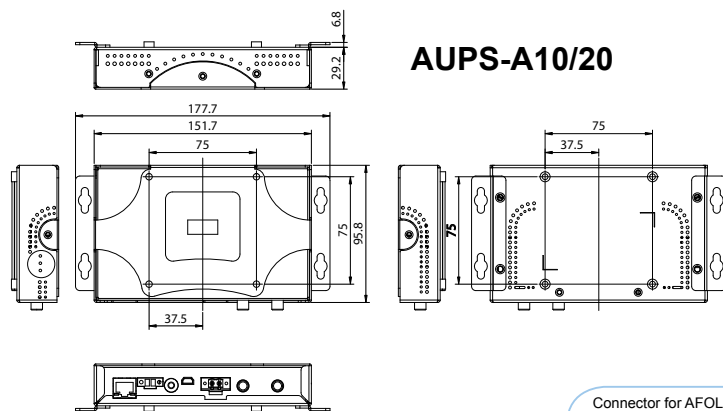


BAT-LI-2S2P3800

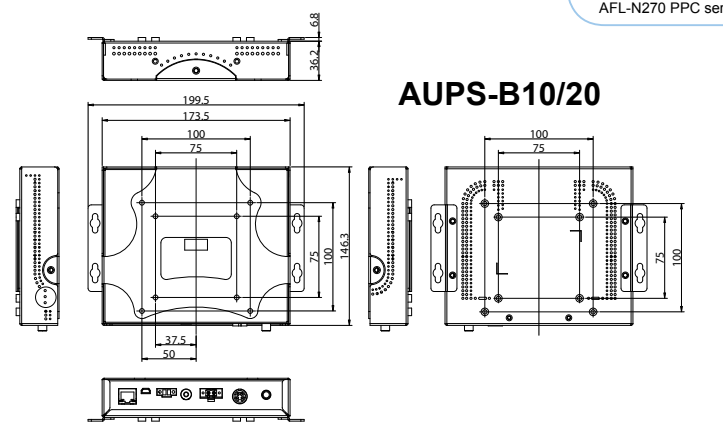


BAT-LI-4S2P3800

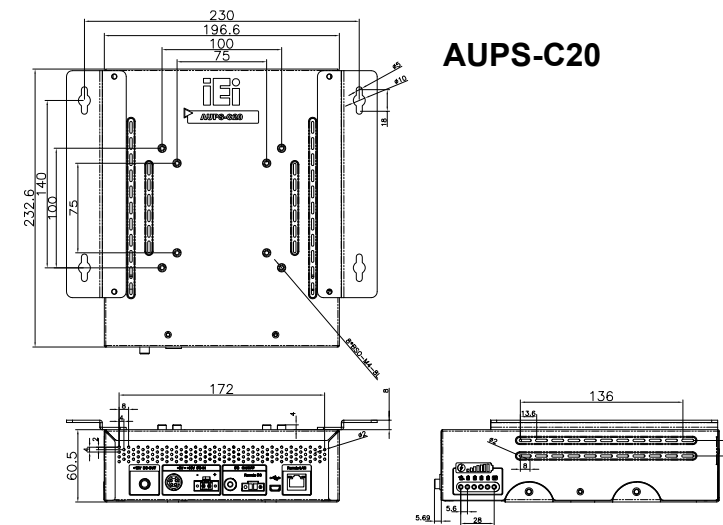
AUPS Mechanical Drawing (Unit: mm)



AUPS-A10/20



AUPS-B10/20



AUPS-C20

Connector for AFOLUX Panel PC:
 AFL-LX PPC series
 AFL-LXPOS PPC series
 AFL-CX2 PPC series
 AFL-9103 PPC series
 AFL-N270 PPC series

DC Power Cable (DC plug to DC plug) with lock
 32000-115300-RS



Remote Switch Cable
 32000-124600-RS



USB Connection Cable
 32000-115500-RS



DC Power Cable (DC plug to DC plug) without lock
 32000-120400-RS



DC Power Cable (DC plug to mini DIN)
 32002-002201-100-RS



Connector for AFOLUX Panel PC:
 AFL-915 PPC series
 AFL-965 PPC series

Ordering Information

Part No.	Description
AUPS-A10-R11	VESA 75, DC 12V input, 12V output 60W UPS module with 3800mAH, 2S2P Li-ion battery
AUPS-A20-R11	VESA 75, DC 9~36V input, 12V output 60W UPS module with 3800mAH, 2S2P Li-ion battery
AUPS-B10-R11	VESA 100, DC 12V input, 12V output 100W UPS module with 3800mAH, 2S4P Li-ion battery
AUPS-B20-R11	VESA 100, DC 9~36V input, 12V output 100W UPS module with 3800mAH, 2S4P Li-ion battery
AUPS-C20-R10	VESA 100, DC 9~36V input, 12V output 100W UPS module with 3800mAH, W/O battery
BAT-LI-2S2P3800 (AUPS-A10/20)	Smart battery; TE9IC032K1002; Lithium ion battery (S2P); 7.4V; 3800mAh; RoHS
BAT-LI-4S2P3800 (AUPS-B10/B20/C20)	Smart battery; TE9IC042K1002; Lithium ion battery (4S2P); 14.8V; 3800mAh; RoHS

Packing List

Item	DC power cable, 300mm, male 4-pin mini-DIN to DC plug 5.0 x 2.1 (AUPS-B10/B20/C20 only)	DC power cable, 150mm, DC plug 5.5 x 2.1 to DC plug 5.0 x 2.5 without lock	DC power cable, 150mm, DC plug 5.5 x 2.1 to DC plug 5.0 x 2.5 with lock	USB cable, 200mm, USB type A male to mini USB	Remote switch cable, 1200mm	Screw kit	Utility CD (including utility software and user's guide)
Part Number	32002-002201-100-RS	32000-120400-RS	32000-115300-RS	32000-115500-RS	32000-124600-RS	44013-030041-RS	7B000-000087-RS
Q'ty	1	1	1	1	1	1	1